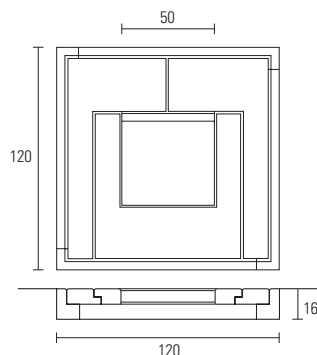
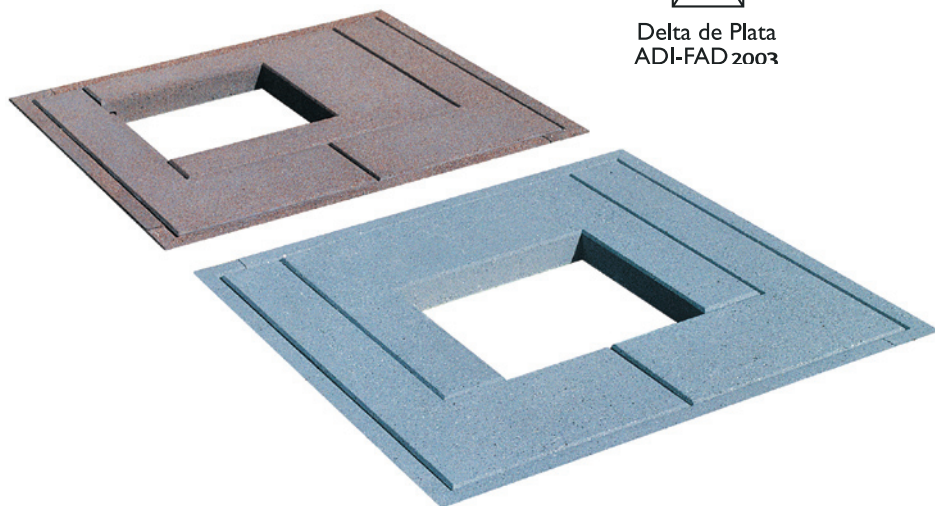


Mekano-Q



Delta de Plata
ADI-FAD 2003



Adaptable tree grille whose design permits the adjustment of the "grille" around the tree regardless of the position or the size of the trunk.

It is designed for new construction work as well as for repaving work when it is important to conserve the existing trees by adapting the grille to the new form of the pavement.

© Patented Model

MATERIAL Reinforced concrete

STANDARD COLOUR Grey

TEXTURA Stripped

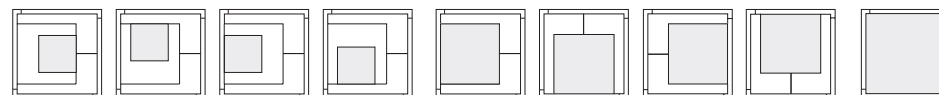
FINISH Water repellent

APPROX. WEIGHT - Frame: 145 Kg.

- Covers: 176 Kg.

INSTALLATION Level with pavement

DESIGN Suma Arquitectes



Càntir, 1 Zona Industrial del Sud
08292 Esparreguera (Barcelona)

Tel. +00 34 93 7771300*
Fax +00 34 93 7771704

www.pmata.com
info@pmata.com

MATA
PAVIMENTS MATA®, S.A.