

Mekano-R and RC



Adaptable grille. Its concept is the same as the Mekano-Q grille, but with a different shape without affecting its flexibility or adaptability.

In its RC version, its different perimeter changes from a circular piece to a square piece permitting its adaptation to straight areas of pavement.

© Patented Model

MATERIAL Reinforced concrete

STANDARD COLOUR Grey

TEXTURA Stripped

FINISH Water repellent

APPROX. WEIGHT - Square frame 200 Kg.

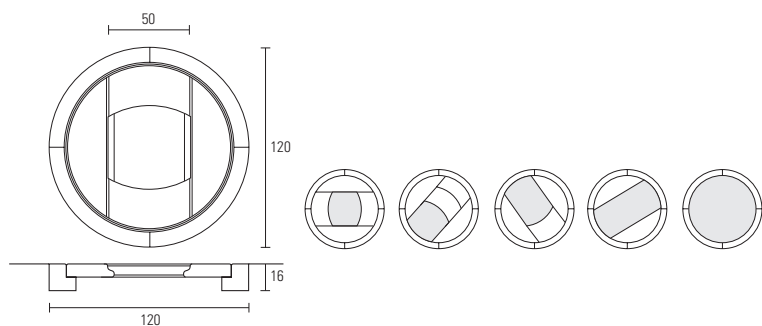
- Round frame 135 Kg.

- Covers: 176 Kg.

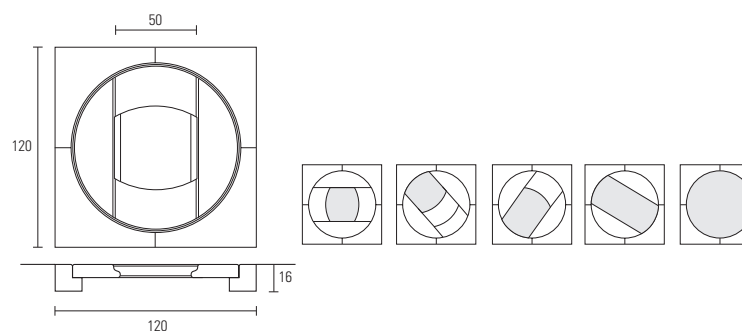
INSTALLATION Level with pavement

DESIGN Suma Arquitectes

Mekano-R



Mekano-RC



Càntir, 1 Zona Industrial del Sud
08292 Esparreguera (Barcelona)

Tel. +00 34 93 7771300*
Fax +00 34 93 7771704

www.pmata.com
info@pmata.com